



## MULTI-ROUND HYDRAULIC SERIES HYDRAULIC CARTRIDGE HOUSINGS



Industrial Multi-Round Series Hydraulic Cartridge Housings offer high flow rates, chemical compatibility and good particle retention. They are an ideal choice for particulate and contaminant removal with our hydraulic cartridges.

### FEATURES/BENEFITS

Flow rates from 360 to 4,500 gpm  
(1,362.6 to 17,032.5 Lpm)

Carbon or Stainless Steel construction

Bearing-assisted Davit assembly

Buna-N lid seals

150 PSI (10.3 bar) pressure rating

Differential, drain and vent ports

Heavy duty support legs

Two-part epoxy finish outside on carbon steel housings

Removable 2" heavy-wall center guide posts

3-round to 38-round capacity

Full tie-rod element connections for positive seal

### APPLICATIONS

Diesel Fuel

Fuel Oils

Hydraulic Fluids

Industrial Process Fluids

Mineral Oil

Solvents

Transformer Oils

### OPTIONS

Duplexing for continual flow during maintenance

Hydraulic lid lift

Higher pressure rating

ASME Code U

Connection sizes and types

**DIMENSIONS**

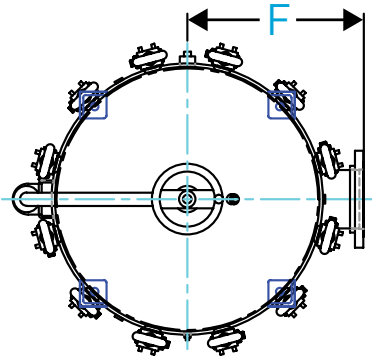
MODEL	# OF ELEMENTS	CARTRIDGE SIZE	CONNECTION SIZE	DIMENSIONS													
					A	B	C	D	E	F	G	H	I	J	K	L	M
H1616	3	36"	2	IN	16.0	2.0	55.9	77.3	8.0	13.0	11.1	11.1	20.5	54.0	75.4	11.0	6.0
				MM	406	51	1,420	1,963	203	330	281	281	521	1,372	1,916	279	152
			3	IN	16.0	3.0	57.9	79.4	10.0	13.0	11.1	11.1	20.5	55.1	76.6	11.0	6.0
				MM	406	76	1,471	2,017	254	330	281	281	521	1,400	1,945	279	152
			4	IN	16.0	4.0	61.6	81.8	12.5	13.0	11.1	11.1	20.5	56.2	77.6	11.0	6.0
				MM	406	102	1,564	2,078	318	330	281	281	521	1,427	1,970	279	152
	44"	2	IN	16.0	2.0	63.9	85.3	8.0	13.0	11.1	11.1	20.5	62.0	83.4	11.0	6.0	
			MM	406	51	1,623	2,167	203	330	281	281	521	1,575	2,119	279	152	
		3	IN	16.0	3.0	65.9	87.4	10.0	13.0	11.1	11.1	20.5	63.1	84.6	11.0	6.0	
			MM	406	76	1,674	2,220	254	330	281	281	521	1,604	2,148	279	152	
		4	IN	16.0	4.0	69.6	89.8	12.5	13.0	11.1	11.1	20.5	64.2	85.6	11.0	6.0	
			MM	406	102	1,767	2,281	318	330	281	281	521	1,630	2,173	279	152	
H1818	4	36"	2	IN	18.0	2.0	56.1	75.0	8.0	14.0	12.1	12.4	20.5	54.3	73.3	11.0	6.0
				MM	457	51	1,426	1,905	203	356	308	314	521	1,379	1,861	279	152
			3	IN	18.0	3.0	58.2	77.1	10.0	14.0	12.1	12.4	20.5	55.4	74.4	11.0	6.0
				MM	457	76	1,478	1,959	254	356	308	314	521	1,407	1,889	279	152
			4	IN	18.0	4.0	60.6	79.6	12.5	14.0	12.1	12.4	20.5	56.4	75.4	11.0	6.0
				MM	457	102	1,540	2,021	318	356	308	314	521	1,434	1,915	279	152
	44"	2	IN	18.0	2.0	64.1	83.0	8.0	14.0	12.1	12.4	20.5	62.3	81.3	11.0	6.0	
			MM	457	51	1,629	2,108	203	356	308	314	521	1,583	2,064	279	152	
		3	IN	18.0	3.0	66.2	85.1	10.0	14.0	12.1	12.4	20.5	63.4	82.4	11.0	6.0	
			MM	457	76	1,681	2,162	254	356	308	314	521	1,610	2,092	279	152	
		4	IN	18.0	4.0	68.6	87.6	12.5	14.0	12.1	12.4	20.5	64.4	83.4	11.0	6.0	
			MM	457	102	1,743	2,224	318	356	308	314	521	1,637	2,118	279	152	
H2424	9	36"	3	IN	24.0	3.0	59.4	79.8	10.0	17.0	15.2	16.7	20.5	56.7	77.1	13.0	6.0
				MM	610	76	1,510	2,027	254	432	386	424	521	1,440	1,957	330	152
			4	IN	24.0	4.0	61.9	82.3	12.5	17.0	15.2	16.7	20.5	57.7	78.1	13.0	6.0
				MM	610	102	1,572	2,089	318	432	386	424	521	1,465	1,983	330	152
			6	IN	24.0	6.0	65.8	86.1	16.5	17.0	15.2	16.7	20.5	59.8	80.1	13.0	6.0
				MM	610	152	1,670	2,188	419	432	386	424	521	1,518	2,035	330	152
	44"	3	IN	24.0	3.0	67.4	87.8	10.0	17.0	15.2	16.7	20.5	64.7	85.1	13.0	6.0	
			MM	610	76	1,713	2,230	254	432	386	424	521	1,643	2,161	330	152	
		4	IN	24.0	4.0	69.9	90.3	12.5	17.0	15.2	16.7	20.5	65.7	86.1	13.0	6.0	
			MM	610	102	1,775	2,292	318	432	386	424	521	1,669	2,186	330	152	
		6	IN	24.0	6.0	73.8	94.1	16.5	17.0	15.2	16.7	20.5	67.8	88.1	13.0	6.0	
			MM	610	152	1,873	2,391	419	432	386	424	521	1,721	2,239	330	152	
H3030	14	36"	3	IN	30.0	3.0	64.4	86.3	10.0	20.0	18.2	20.9	20.5	61.6	83.5	13.0	6.0
				MM	762	76	1,635	2,191	254	508	462	531	521	1,565	2,121	330	152
			4	IN	30.0	4.0	66.8	88.7	12.5	20.0	18.2	20.9	20.5	62.6	84.5	13.0	6.0
				MM	762	102	1,697	2,253	318	508	462	531	521	1,591	2,146	330	152
			6	IN	30.0	6.0	70.8	92.6	16.5	20.0	18.2	20.9	20.5	64.7	86.6	13.0	6.0
				MM	762	152	1,797	2,353	419	508	462	531	521	1,643	2,199	330	152
	44"	3	IN	30.0	3.0	72.4	94.3	10.0	20.0	18.2	20.9	20.5	69.6	91.5	13.0	6.0	
			MM	762	76	1,838	2,394	254	508	462	531	521	1,769	2,324	330	152	
		4	IN	30.0	4.0	74.8	96.7	12.5	20.0	18.2	20.9	20.5	70.6	92.5	13.0	6.0	
			MM	762	102	1,900	2,456	318	508	462	531	521	1,794	2,350	330	152	
		6	IN	30.0	6.0	78.8	100.6	16.5	20.0	18.2	20.9	20.5	72.7	94.6	13.0	6.0	
			MM	762	152	2,000	2,556	419	508	462	531	521	1,846	2,402	330	152	

All dimensions are approximate. Dimensions are for carbon steel configurations.

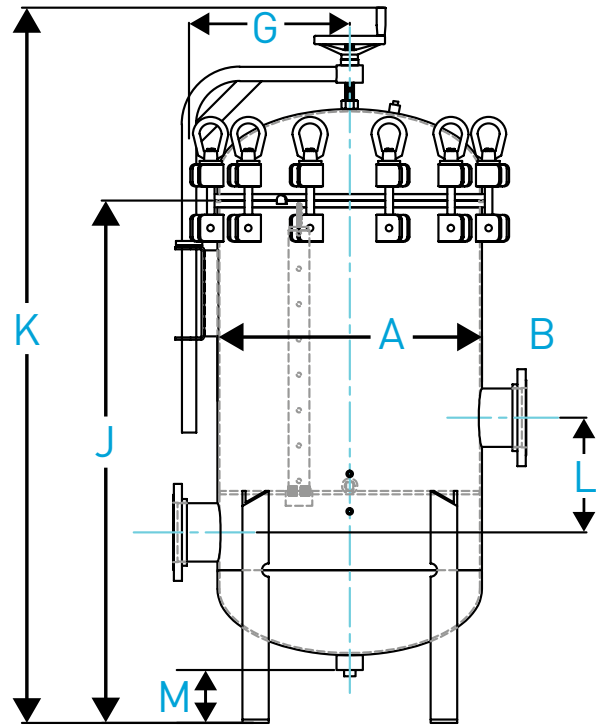
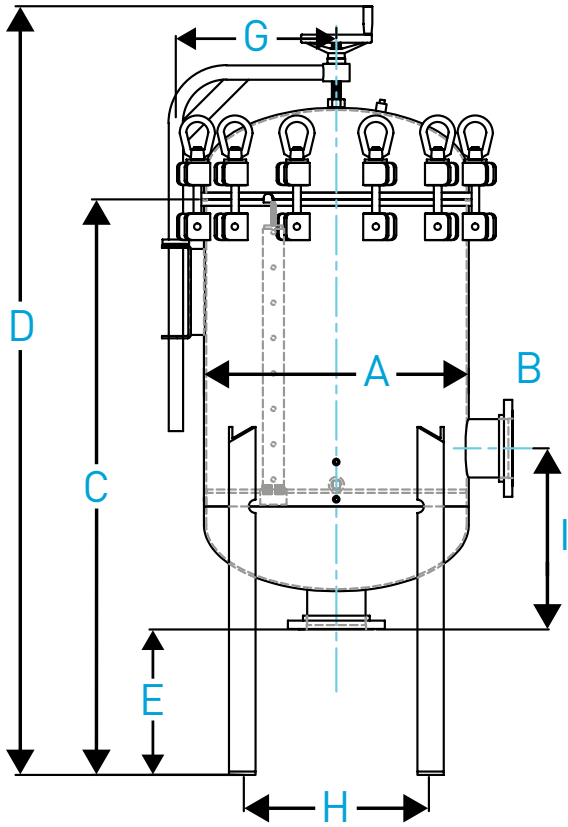
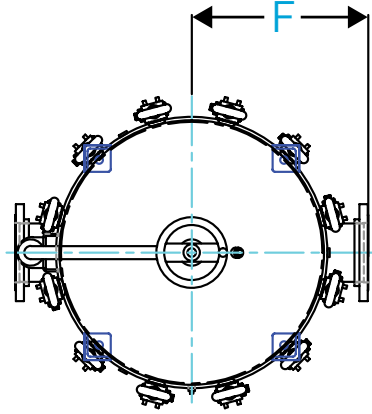
MODEL	# OF ELEMENTS	CARTRIDGE SIZE	CONNECTION SIZE	DIMENSIONS													
				A	B	C	D	E	F	G	H	I	J	K	L	M	
H3636	22	36"	4	IN	36.0	4.0	64.4	86.3	10.0	20.0	18.2	20.9	20.5	61.6	83.5	13.0	6.0
				MM	914	102	1,635	2,191	254	508	462	531	521	1,565	2,121	330	152
			6	IN	36.0	6.0	66.8	88.7	12.5	20.0	18.2	20.9	20.5	62.6	84.5	13.0	6.0
				MM	914	152	1,697	2,253	318	508	462	531	521	1,591	2,146	330	152
			8	IN	36.0	8.0	70.8	92.6	16.5	20.0	18.2	20.9	20.5	64.7	86.6	13.0	6.0
				MM	914	203	1,797	2,353	419	508	462	531	521	1,643	2,199	330	152
		44"	4	IN	36.0	4.0	72.4	94.3	10.0	20.0	18.2	20.9	20.5	69.6	91.5	13.0	6.0
				MM	914	102	1,838	2,394	254	508	462	531	521	1,769	2,324	330	152
			6	IN	36.0	6.0	74.8	96.7	12.5	20.0	18.2	20.9	20.5	70.6	92.5	13.0	6.0
				MM	914	152	1,900	2,456	318	508	462	531	521	1,794	2,350	330	152
			8	IN	36.0	8.0	78.8	100.6	16.5	20.0	18.2	20.9	20.5	72.7	94.6	13.0	6.0
				MM	914	203	2,000	2,556	419	508	462	531	521	1,846	2,402	330	152
H4242	31	36"	6	IN	42.0	6.0	76.3	103.2	16.5	28.0	27.6	29.5	30.5	67.7	94.7	15.0	6.0
				MM	1,067	152	1,937	2,621	419	711	702	749	775	1,719	2,404	381	152
			8	IN	42.0	8.0	80.5	107.4	20.8	28.0	27.6	29.5	30.5	69.7	96.6	15.0	6.0
				MM	1,067	203	2,045	2,729	528	711	701	749	775	1,770	2,454	381	152
			10	IN	42.0	10.0	84.5	111.4	25.0	28.0	27.6	29.5	30.5	71.8	98.8	15.0	6.0
				MM	1,067	254	2,146	2,831	635	711	701	749	775	1,824	2,508	381	152
		44"	6	IN	42.0	6.0	84.3	111.2	16.5	28.0	27.6	29.5	30.5	75.7	102.7	15.0	6.0
				MM	1,067	152	2,140	2,824	419	711	702	749	775	1,923	2,608	381	152
			8	IN	42.0	8.0	88.5	115.4	20.8	28.0	27.6	29.5	30.5	77.7	104.6	15.0	6.0
				MM	1,067	203	2,248	2,932	528	711	701	749	775	1,973	2,658	381	152
			10	IN	42.0	10.0	92.5	119.4	25.0	28.0	27.6	29.5	30.5	79.8	106.8	15.0	6.0
				MM	1,067	254	2,350	3,034	635	711	701	749	775	2,027	2,711	381	152
H4848	38	36"	8	IN	48.0	8.0	82.1	110.6	20.8	31.0	30.6	33.2	30.5	71.3	99.7	17.0	6.0
				MM	1,219	203	2,086	2,808	528	787	776	843	775	1,810	2,532	432	152
			10	IN	48.0	10.0	86.1	114.6	25.0	31.0	30.6	33.2	30.5	73.4	101.8	17.0	6.0
				MM	1,219	254	2,188	2,910	635	787	776	843	775	1,864	2,586	432	152
			12	IN	48.0	12.0	90.5	118.9	29.5	31.0	30.6	33.2	30.5	75.4	103.8	17.0	6.0
				MM	1,219	305	2,299	3,021	749	787	776	843	775	1,915	2,637	432	152
		44"	8	IN	48.0	8.0	90.1	118.6	20.8	31.0	30.6	33.2	30.5	79.3	107.7	17.0	6.0
				MM	1,219	203	2,289	3,011	528	787	776	843	775	2,013	2,735	432	152
			10	IN	48.0	10.0	94.1	122.6	25.0	31.0	30.6	33.2	30.5	81.4	109.8	17.0	6.0
				MM	1,219	254	2,391	3,113	635	787	776	843	775	2,067	2,789	432	152
			12	IN	48.0	12.0	98.5	126.9	29.5	31.0	30.6	33.2	30.5	83.4	111.8	17.0	6.0
				MM	1,219	305	2,502	3,224	749	787	776	843	775	2,118	2,840	432	152

All dimensions are approximate. Dimensions are for carbon steel configurations.

STYLE A - BOTTOM OUTLET



STYLE B - SIDE OUTLET



# PRESSURE DROP VS FLOW RATE

