

Filter Housings

For Cartridge Sediment Filters

100-X
30-S



PFP's Village Marine offers stainless steel (SS316) filter housings specifically designed for seawater use. Simple but secure closure systems allow quick cartridge change. Powder coated shells offer superior corrosion resistance. Fasteners and clamps are stainless steel.



Village Marine 100-X



Village Marine 30-S

Precision Filtration Products
YOUR ONE  FOR FILTERS

Filter Housings

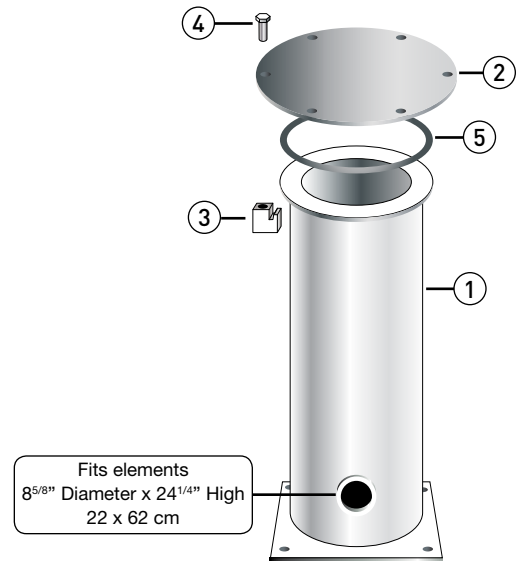
For Cartridge Sediment Filters

100-X

30S

Model 100-X

Model	DWG	Description	Part Number	Inlet Outlet
100-X		Filter Assembly	30-0101	1.5" NPT
	1	Shell	33-0114	
	2	Lid	34-0102	
	3	Clamps (each)	30-1510	
	4	Fasteners (each)	86-0382	
	5	O-ring	32-0007	



Model 30-S

Model	DWG	Description	Part Number	Inlet Outlet
30-S		Filter Assembly	30-0030	1.5" NPT
	1	Shell	33-0110	
	2	Lid	33-0033	
	3	Top Clamp	90-0002	
	4	O-ring (each)	33-0405	
	5	Bottom Clamp	90-0003	
	6	Base	33-0300	

